

Subrata Das¹, Nidhersana Periyanyaki Gunaseelan¹,
V. Mathivanan²

¹Department of Fashion Technology, Bannari Amman Institute of
Technology, Sathyamangalam, Erode District, ²Ordnance Clothing
Factory, Ministry of Defence, Govt. of India, Avadi, Chennai, India

Scientific paper
ISSN 0351-9465, E-ISSN 2466-2585
<https://doi.org/10.62638/ZasMat1210>



Zastita Materijala 66 (4)
764 - 775 (2025)

Ballistic evaluation of body armour for defence application

ABSTRACT

Bullet-resistant jackets (BRJs) and Bullet-resistant helmets (BRHs) serve as crucial protective gear for military and law enforcement personnel, offering critical defence against ballistic threats. Various inspection and testing protocols are employed to ensure the reliability and efficacy of materials used in the construction of BRJs and bullet-resistant helmets. The study begins with an overview of the various materials commonly utilized in the manufacturing of BRJs and helmets, including aramid fibers, ceramics, and composite materials. Visual inspections aid in identifying surface irregularities and defects, while NDT techniques such as ultrasonic testing and radiography help reveal internal flaws that might compromise the integrity of the protective gear. Furthermore, the study delves into the testing procedures essential for evaluating the ballistic resistance of these materials along with addressing the importance of compliance with industry standards and certification requirements emphasizing the significance of rigorous inspection and testing protocols in maintaining the quality and reliability of materials used in the production of BRJs and bullet-resistant helmets. Implementing robust examination techniques and adhering to standardized testing procedures are imperative to ensure the safety and protection of individuals relying on this specialized equipment in high-risk environments.

Keywords: protective gear, aramid fibers, ballistic threats

INTRODUCTION

Bullet-resistant jackets and helmets are types of personal protective equipment that is, designed to provide protection against ballistic threats [1] such as bullets, shrapnel, or other projectiles. These items are commonly used by military personnel, law enforcement officers, security personnel, and individuals in high-risk environments where there is a threat of gunfire or explosive devices.

Bullet- from firearm projectiles [2] They are typically made from multiple layers of polyethylene (e.g., Dyneema). These materials are arranged in a way that absorbs and disperses the kinetic energy of a bullet [3,4], reducing the likelihood of injury. Bullet-resistant vests of strong, flexible materials such as aramid fibers (e.g., Kevlar) or ultra-high molecular weight stant jackets may also incorporate hard armour plates made of materials like ceramic or composite materials to provide additional protection against high-velocity rounds.

These plates are often inserted into pockets within the jackets and can be removed or Bullet-resistant helmets, also known as ballistic helmets or combat helmets are headgear designed to be replaced as needed.

Protect the wearer's head from ballistic threats. The helmet will act by stopping the ammunition fragments by stretching the armour fibres at the point of impact either cutting or breaking some of them or simply compressing the fibre layers [5]. They are commonly used by military personnel, law enforcement officers, and other tactical units operating in dangerous environments. Bullet-resistant helmets are constructed using materials such as ballistic fibreglass [6] aramid fibers (e.g., Kevlar), or composite materials. These materials are chosen for their ability to absorb and dissipate the energy of a projectile, reducing the risk of head injury. Ballistic helmets, their performance and design were studied [7] Helmets may also feature padding and suspension systems to improve comfort and fit. Both bullet-resistant jackets and helmets undergo rigorous testing to ensure they meet specific standards for ballistic resistance, durability, and performance. These standards are typically established by organizations such as the

*Corresponding author: Subrata Das

E-mail: subratacl@gmail.com

Paper received: 26.07.2024.

Paper corrected: 14.05.2025.

Paper accepted: 01.06.2025.

National Institute of Justice (NIJ) in the United States or by international bodies like the European Union's Ballistic Protection Standards. Testing methods involve firing standard ammunition at the protective gear to assess its ability to stop or mitigate the impact of bullets and other projectiles. Recent advances include the use of shear thickening fluid, which is a non-Newtonian fluid [8] in helmets to control or reduce the impact of brain injuries [9].

Body protection armour such as bullet resistant jackets and bullet resistant helmets are classified into different levels based on the threat levels or with the ability of the body armour to withstand ballistic threats [10]. The levels of protection such as Level II, Level IIIA, and Level IV which are common threat levels with higher threat levels up to Level VI is still under research are standardized by international organizations such as the National Institute of Justice (NIJ) in the United States or by the European Union's Ballistic Protection Standards. The various threat levels in ballistics is given in table 1.

Table 1. Various threat levels in ballistics

| SI no. | Threat Level | Ammunition | bullet Weight (see note), g | Bullet type | Impact velocity, m/s | Distance of impact, m | Remarks |
|--------|--------------|---|-----------------------------|-------------|----------------------|-----------------------|---|
| (1) | (2) | (3) | (4) | (5) | (6) | (7) | (8) |
| | 1 | 9x19 mm | 7.4-8.2 | FMJ/Pb | 430±15 | 5±0.5 | For all flexible panels |
| | 2 | 7.62x39 mm | 7.45-8.05 | FMJ/MS | 710±15 | 10±0.5 | |
| | 3 | 7.62x51 mm | 9.4-9.6 | FMJ/Pb | 840±15 | 10±0.5 | In addition, shall be in compliance with threat level 2 |
| | 4 | 5.56x45 mm | 3.5-4.0 | FMJ(SI+Pb) | 890±15 | 10±0.5 | In addition, shall be in compliance with threat level 3 |
| | 5 | 7.62x39 mm | 7.45-8.05 | HSC | 700±15 | 10±0.5 | In addition, shall be in compliance with threat level 3 |
| | 6 | 7.62x52 R | 10.3-10.5 | API | 830±15 | 10±0.5 | In addition, shall be in compliance with threat level 3 |
| | special | Any other requirement by the user. Complete details of ammunition shall be stored for future upgradation of the standard. | | | | | |

NOTE - Routine ballistic evaluation may use service ammunition where bullet weight is not considered. Bullet weight shall be considered for reloaded ammunition.

FMJ: Full Metal Jacket
HSC: Hard Steel Core

Pb: Lead Core,
API: Armour Piercing Incendiary

MSC: Mild Steel Core
SI: Steel Insert

The increase in threat levels should provide increased level of protection with respect to the ammunition. If the high energy helmet or any explosive debris contacts with bullet resistant

helmets, the helmet is subjected to deformation even though the bullet is not penetrated, the brain is forced into shock in the form of waves which causes damage [11,12,13].

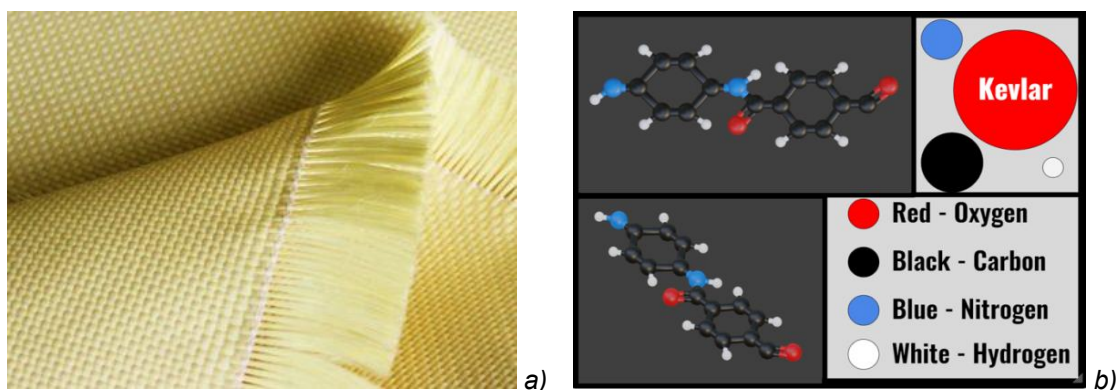


Figure 1. a) physical structure b) chemical structure of Kevlar

Soft armour panel, commonly called as SAP are made from ballistic fibres such as Kevlar or ultra-high molecular weight polyethylene (UHMWPE). They are either woven or layered with different composition of layers providing protection against handgun rounds and low-velocity projectiles. Aramid fibres (most well-known as Kevlar) which are commonly used for body armour are man-made fibres with long-chain polyamides. The physical and chemical structure of Kevlar fibre is given in figure 1.

The polymer is made up of rings of benzene and amide groups alternating between each other. They are highly durable, strong, heat-resistant with exceptional strength-to-weight ratio, resistance to abrasion, and excellent thermal stability [14]. Different Kevlar samples with different GSM were tested with 9 mm ammunition and the results were noted [15]. UHMWPE (Ultra-High Molecular Weight Polyethylene) is a highly valued material due to its exceptional strength, lightweight nature, and energy-absorbing properties. It is commonly used in the production of ballistic-resistant materials, such as body armour and vehicle armour, where protection against ballistic threats is crucial. The common types of Kevlar that are widely used in body armour are those of Kevlar 29 and Kevlar 149 and those of Dyneema [16] belonging to the UHMWPE (similar to polythene). These fibres were tested under various parameters such as tensile strength, abrasion resistance, washability, chemical resistance, heat conductivity where the UHMWPE was considered to be superior to Kevlar fabrics [17]. Continuous development of soft armour panel is carried out with advanced research [18].



Figure 2: Hard armour panel made up of silicon carbide

Hard armour panels, commonly called as HAP are made from ceramic materials, such as boron carbide or alumina, or composite materials

reinforced with ceramic or metallic components [19,20]. The hard armour panel made up of silicon carbide is shown in figure 2.

They provide protection against rifle rounds, armour-piercing ammunition, and other high-velocity projectiles due to their high strength and hardness. Ceramic plates which are used in bullet resistant jackets which provides against high velocity ammunition types are generally inserted into small pouches within the jackets or vests along with soft armour panel such as aramid fibers or UHMWPE (ultra-high molecular weight polyethylene) to provide additional layer of protection to the wearer [21]. They are made from boron carbide, silicon carbide, or alumina (aluminium oxide) due to their extreme hardness and ability to dissipate the kinetic energy of a projectile upon impact. When a bullet strikes the ceramic plate [22] the hard ceramic material fractures and disperses the kinetic energy over a larger area. This shattering of the ceramic helps to absorb and dissipate the energy of the bullet, reducing its velocity and preventing it from penetrating the soft armour behind it. Additionally, the sharp edges created by the fracturing of the ceramic can further disrupt and deform the bullet, enhancing the protective capability of the plate. Composite materials are often used in body armor which provide light-weight and durable protection against threats. For example, aramid fibers, such as Kevlar, are often combined with resin matrices to form aramid composites. Various ballistic impact tests were performed on woven Kevlar composite using different projectiles [23]. Composite non-woven fabrics were tested in order to find out their optimum processing conditions to produce the best results [24].

The soft armor panel protects against 9 mm carbine bullets at a distance of 5 m of the back face signature specified by the Indian army. Hard armor panel protects against 7.62 mm × 39 mm Self-Loading Rifle (SLR) and AK 47 (Metal SteelCore)[25].

Bullet resistant jackets

The parts of the bullet resistant jackets are given in the figure 3.

Outer Carrier fabric: The outer cover of a bullet-resistant jacket is usually made from durable and abrasion-resistant fabric such as nylon or polyester. This cover protects the ballistic panels inside from damage and wear, as well as providing a comfortable and secure fit for the wearer. The requirements of the outer carrier fabric are given in table 2.

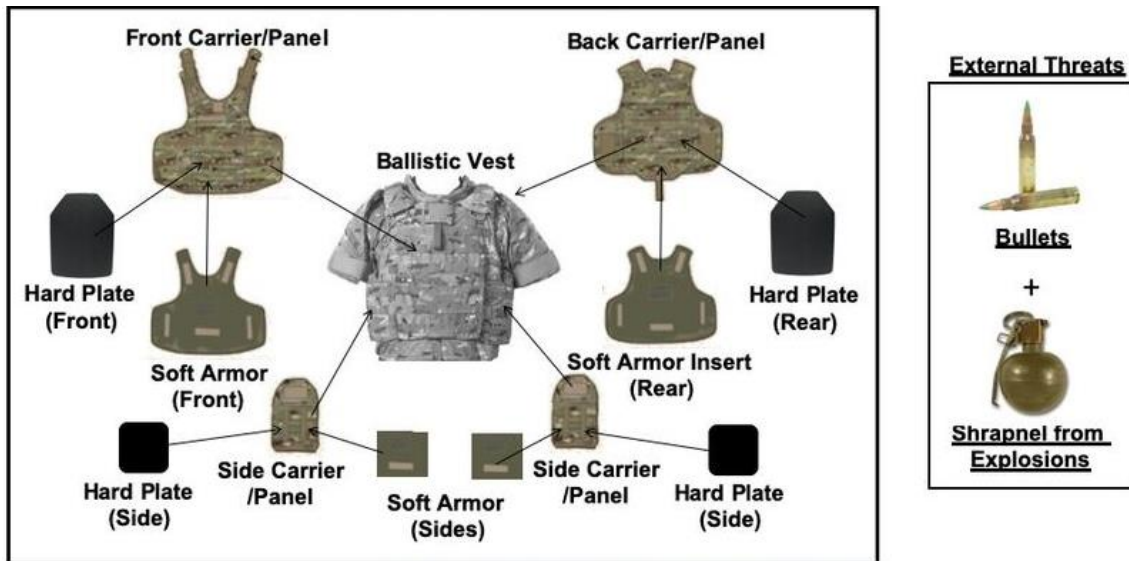


Figure 3. Bullet resistant jackets and its components

Table 2. Requirements of outer carrier fabric

| Sl.No | Test parameter | requirements | Method of test, Refer to |
|-------|---|-------------------------------------|--|
| (1) | (2) | (3) | (4) |
| | Mass, g/m ² , Max | 160 | IS 7016 (Part I) |
| | Tensile strength, N, Min: a) Warp wise b) Weft wise | 1150 900 | IS 7016 (Part II) |
| | Tear strength, N, Min: a) Warp wise b) Weft wise | 160 140 | IS 7016 (Part 3), Method A2, Trousar shaped test piece, Single tear method |
| | Flame resistance test: a) Duration of flame (After flame time), s, Max b) Duration of afterglow, s, Max | 5 5 | IS 11871, Method A |
| | Resistance to water penetration at hydrostatic pressure head of 30 cm water column height for 30 minutes | There shall be no water penetration | IS 7016 (Part 7) |
| | Colour fastness rating to light (Change in colour on blue wool), Min | 4 | IS 2454 |

Ballistic Panels:The core of the bullet-resistant jacket consists of ballistic panels that are designed to absorb and disperse the kinetic energy of incoming projectiles. These panels are typically made from specialized materials such as aramid fibers (e.g., Kevlar) or ultra-high molecular weight polyethylene (UHMWPE). The ballistic panels are strategically placed in the front, back, and sometimes side areas of the vest to provide comprehensive coverage against ballistic threats.

Soft Armor Inserts:Soft armor inserts are flexible panels made from ballistic-resistant materials, typically aramid fibers or UHMWPE. These inserts are inserted into pockets within the ballistic panels to provide additional protection against handgun rounds and other low-velocity

projectiles. Soft armor inserts are lightweight and flexible, allowing for comfortable wear and ease of movement.

Hard Armor Plates:Some bullet-resistant jackets may incorporate hard armor plates made from ceramic materials, such as boron carbide or alumina, or composite materials reinforced with ceramics or metals. These plates are inserted into pockets within the vest or worn in conjunction with soft armor inserts to provide enhanced protection against high-velocity rifle rounds and armor-piercing projectiles. Hard armor plates are rigid and heavy compared to soft armor inserts but offer superior ballistic resistance against certain threats.

Adjustable Straps and Fasteners:Bullet-resistant jackets are equipped with adjustable

straps and fasteners to ensure a secure and comfortable fit for the wearer. These straps and fasteners allow for customization of the vest size

and fit, as well as quick removal in emergency situations. The requirements of straps and fasteners are given in table 3.

Table 3. Requirements of straps and fasteners

| Sl.No | Test parameter | Requirements (s) | Method of test, Refer to |
|-------|---|---|--------------------------|
| (1) | (2) | (3) | (4) |
| | Shear strength, Lengthwise, g/cm ² , Min | 900 | IS 8156 |
| | Peel strength, g/cm, Min | 200 | IS 8156 |
| | Endurance test of 5000 cycles of closing and opening operations | The shear strength, lengthwise shall not be less than 675 g/cm ² | IS 8156 |

Moisture-Wicking Lining: Some bullet-resistant jackets feature moisture-wicking lining materials to help manage perspiration and keep the wearer cool and comfortable during extended wear periods. These linings are typically made from breathable fabrics that help to wick moisture away from the skin, improving overall comfort.

Trauma Plate Inserts: In addition to ballistic protection, some bullet-resistant jackets may

include trauma plate inserts made from materials such as foam or gel. The comparison between various anti-trauma materials is studied [26]. These are included to mitigate blunt force trauma injuries resulting from ballistic impacts [27,28]. These inserts are placed behind the ballistic panels and are designed to absorb and distribute the impact energy of a projectile. This may include drop tower tests which are shown in figure 4. [27,28]

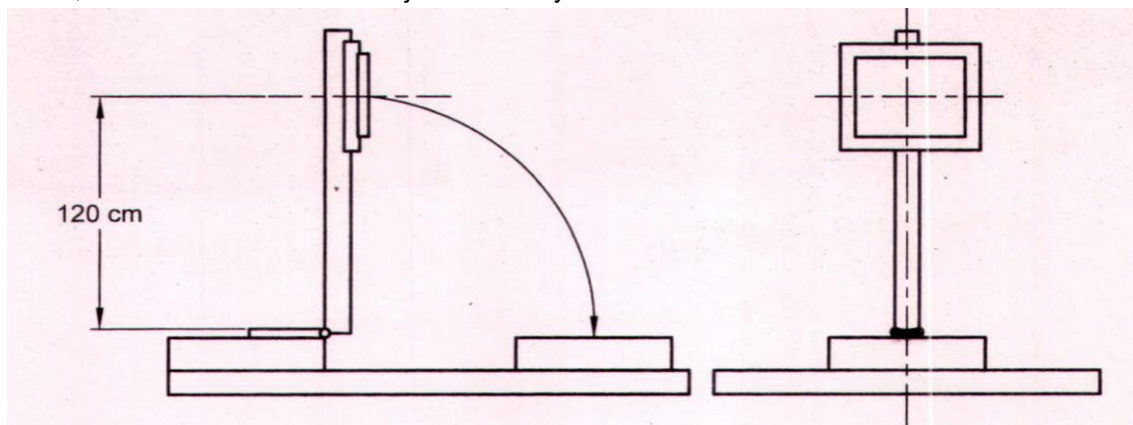


Figure 4: Drop tower test set-up

Non-destructive testing for Bullet-Resistant Jackets

Visual Inspection

Exterior Inspection:

It is done by visually examining the exterior of the bullet-resistant jacket for any signs of damage, such as cuts, tears, punctures, or abrasions. The seams, stitching, and edges for fraying, unraveling, or separation are checked with close attention to areas where panels are joined or pockets are stitched. Inspection of any external components, such as zippers, Velcro straps, or buckles, are done to ensure they are intact and functioning properly.

Panel Inspection:

Remove any removable ballistic panels from the jacket for closer inspection. Each panel is closely inspected for any signs of damage or deformation. Bulges, cracks, delamination, or

discoloration on the surface of the panels, which may indicate structural integrity issues. Checking for any foreign objects embedded in the panels, such as fragments or debris, which could compromise their ballistic performance.

Interior Inspection:

Examine the interior lining of the jacket for signs of wear, tears, or damage. Ensure that the lining is securely attached to the ballistic panels and does not obstruct their movement or function. Inspection of any padding or trauma inserts for compression, deformation, or displacement. Verifying that they are positioned correctly and provide adequate coverage and protection.

Ultrasonic Testing (UT):

Ultrasonic testing uses high-frequency sound waves to detect internal defects or discontinuities in materials. In ultrasonic testing of bullet-resistant

jackets, a transducer is used to send ultrasonic waves through the material, and the reflections or echoes are analyzed to identify any flaws, such as delamination or voids, within the ballistic panels [29]. The test set up for ultrasonic testing is given in figure 5.

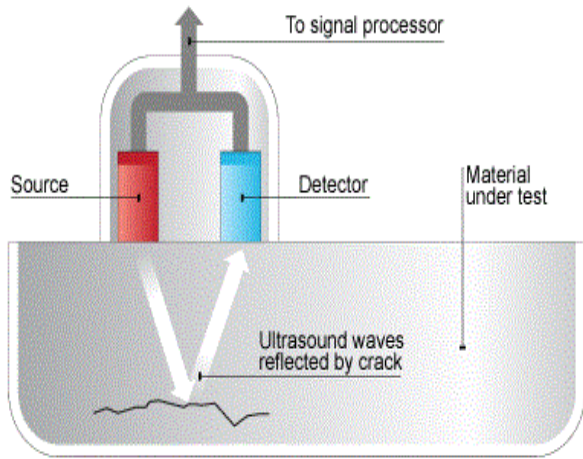


Figure 5. Ultrasonic testing

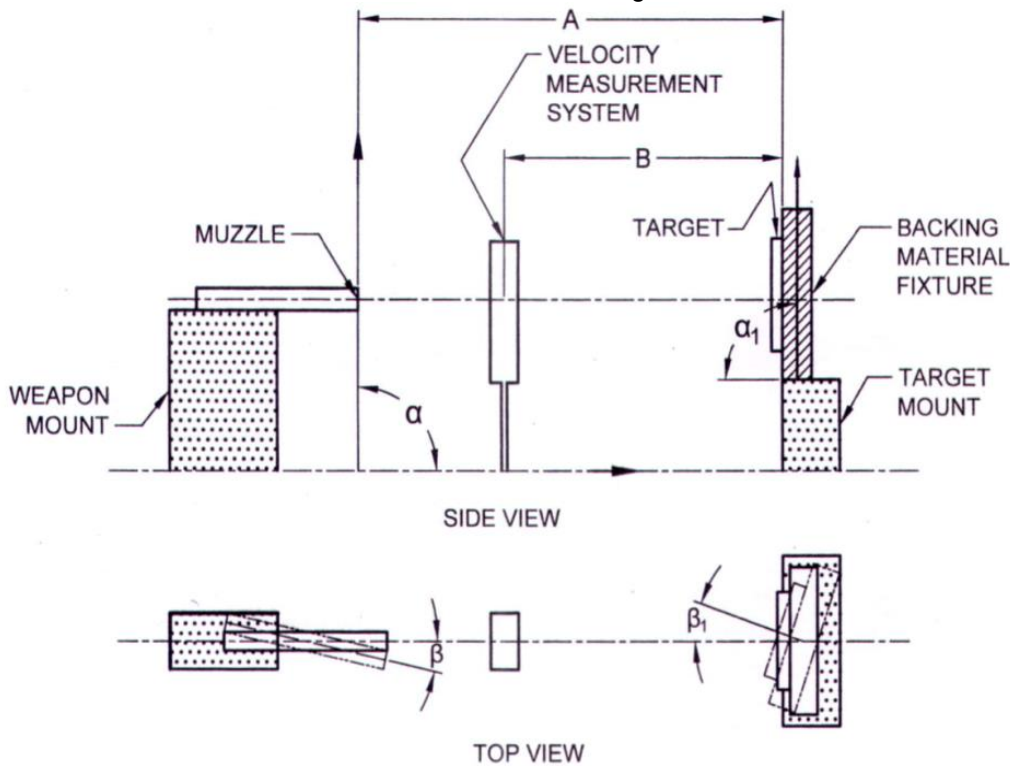
Radiographic Testing (RT):

Radiographic testing, also known as X-ray testing, involves passing X-rays or gamma rays through the material and capturing the resulting image on a radiographic film or digital detector. Radiographic testing can detect internal defects or anomalies in bullet-resistant jackets, such as air pockets, foreign objects, or manufacturing defects, by examining the density variations in the X-ray image [30].

Destructive testing

Backface signature testing is a crucial evaluation method used to assess the effectiveness of bullet-resistant jackets in mitigating blunt force trauma resulting from ballistic impacts.

This test is particularly carried out to measure the depth of indentation, known as backface signature, on the wearer's body armor caused by the high velocity projectiles which indicates the level of trauma experienced by the human body. The test layout for conducting the testing is given in figure 6.



- A: Distance between muzzle and target : a) 10.0 ± 0.1 m (Threat levels 2 to 6) and b) 5.0 ± 0.1 m (Threat level 1)
- B: Distance between target and velocity measurement system, 2.5 ± 0.025 m (for discrete systems)
- α : Elevation angle of muzzle, 90°
- α_1 : Elevation angle of target, 90°
- β : Azimuth angle of muzzle, 0°
- β_1 : Angle of bullet impact on target, as per requirement

Figure 6. Destructive testing set-up

It involves mounting the bullet resistant jackets on a dummy and the ammunition is fired at predetermined velocity and angle. The number of shots fired based on the threat levels is given in table 4.

Table 4. Fires shot based on Threat Levels

| Sl no. | Threat Level | Panel Type | Total shots | At 0° Angle | At 30° and 45° Angle | Remarks |
|--------|--------------|------------------------|--------------|--------------|----------------------|-------------------------|
| (1) | (2) | (3) | (4) | (5) | (6) | (8) |
| i) | 1 | Front/Back | 6 | 4 | 2 | --- |
| | | Groin/Other (see Note) | Max 3, Min 1 | Max 3, Min 1 | --- | Depending upon fair hit |
| ii) | 2 | Front/Back | 6 | 4 | 2 | --- |
| | | Groin/Other (see Note) | Max 3, Min 1 | Max 3, Min 1 | --- | Depending upon fair hit |
| iii) | 3 | Front/Back | 6 | 6 | --- | --- |
| | | Groin/Other (see Note) | Max 3, Min 1 | Max 3, Min 1 | --- | Depending upon fair hit |
| iv) | 4 | Front/Back | 6 | 6 | --- | --- |
| | | Groin/Other (see Note) | Max 3, Min 1 | Max 3, Min 1 | --- | Depending upon fair hit |
| v) | 5 | Front/Back | 6 | 6 | --- | --- |
| | | Groin/Other (see Note) | Max 3, Min 1 | Max 3, Min 1 | --- | Depending upon fair hit |
| vi) | 6 | Front/Back | 6 | 6 | --- | --- |
| | | Groin/Other (see Note) | Max 3, Min 1 | Max 3, Min 1 | --- | Depending upon fair hit |

NOTE

1. Unless specified otherwise by the user, groin/side protectors shall be tested against three shots at 0° angle depending upon fair hit criteria. Other protectors like throat, collar, shoulders etc may be tested with one or more shots depending upon fair hit location.
2. In cases where size of armour is such that no fair hit is possible, user can forego fair hit criteria and test the armour, and undertaking from manufacturer can be taken with respect to the armour performance against the particular threat for which it has been designed

After the impact, the depth of the indentation or deformation on the back surface of the jacket's ballistic panel is measured using calibrated instruments, such as a depth gauge or pressure-sensitive film. The measurement of the backface signature is usually expressed in millimeters, representing the maximum depth of deformation. The backface signature measurement is compared against established performance criteria or standards, such as those defined by the National Institute of Justice (NIJ) in the United States. Different weave structure provides different protection against different ammunitions [31]. These standards specify maximum allowable backface signature values for different threat levels and types of ballistic protection. A lower backface signature value indicates that the jacket's ballistic panel is more effective in dissipating the kinetic energy of the projectile and reducing the trauma experienced by the wearer. Excessive backface signature values may indicate potential injuries, such as bruising or internal trauma, that could occur behind the armor. Bullet trajectory deflection,

for 9 mm Luger Full Metal Jacket Round Nose (FMJ-RN) bullets were fired through 23–24 cm of ballistic gelatine. The bullets were fired at different velocities. Impact velocity, energy transfer and bullet trajectory deflection after gelatin perforation were measured and calculated [32].

ENVIRONMENTAL TESTING

Bullet-resistant jackets may be subjected to environmental testing to evaluate their performance under various conditions, such as temperature extremes, humidity, and exposure to chemicals or UV radiation. This may involve accelerated aging tests, environmental chamber tests, or exposure to simulated environmental conditions to assess material degradation and durability over time. Bullet-resistant jackets may undergo water resistance testing to assess their performance in wet or humid conditions. Testing involves subjecting jacket materials to water immersion or water spray tests and evaluating their ability to repel water and maintain their ballistic resistance properties when wet.

Bullet resistant helmets

The basic layout of bullet resistant helmets [33] is given in figure 7.

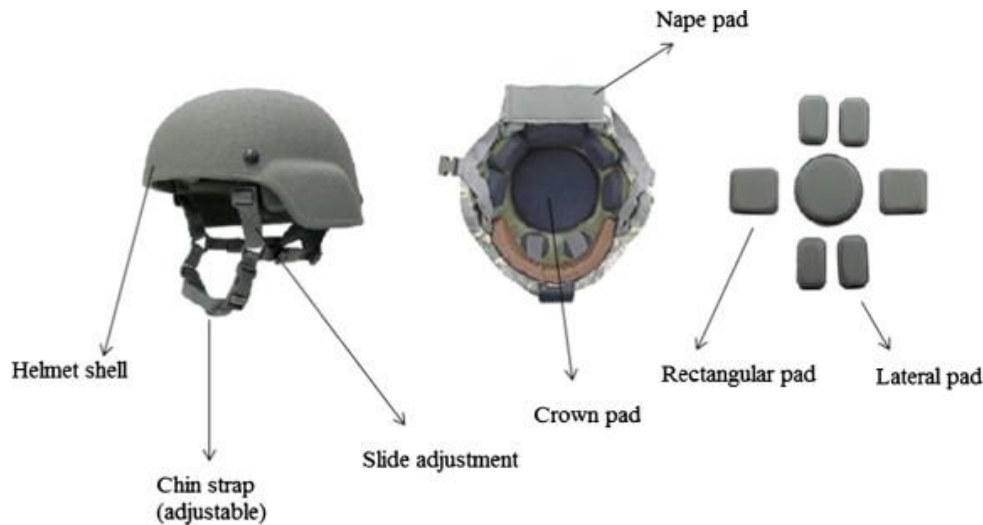


Figure 7: Bullet resistant Helmets

Shell:

The outer shell of a bullet-resistant helmet is typically made from ballistic-resistant materials such as aramid fibers (e.g., Kevlar) or composite materials like fiberglass or UHMWPE [34]. This shell serves as the primary barrier against ballistic threats, dispersing and absorbing the kinetic energy of incoming projectiles. The energy dissipation is shown in figure 8.

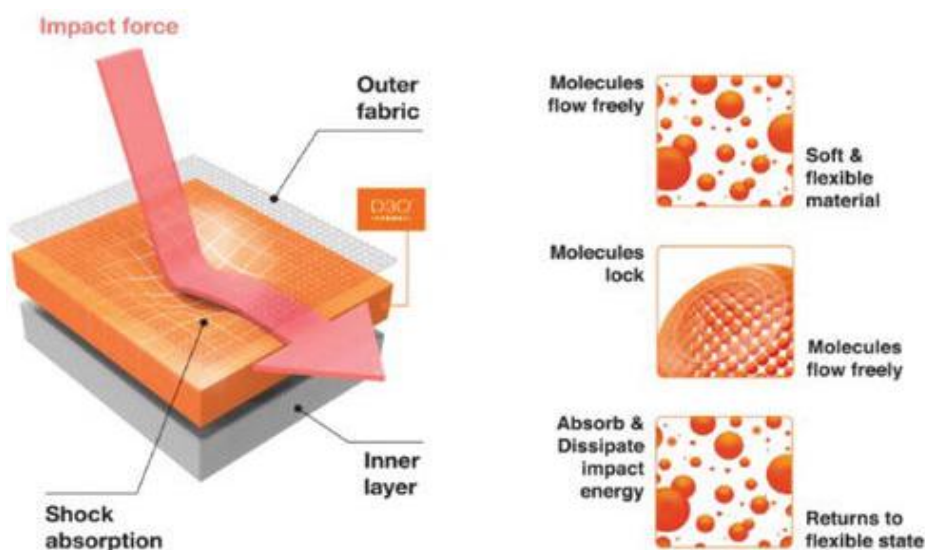


Figure 8. Energy dissipation mechanism

Padding and Suspension System:

The interior of the helmet features padding and a suspension system designed to cushion the wearer's head and provide a comfortable fit. The padding helps distribute impact forces across the helmet's surface, reducing the risk of injury from blunt force trauma. The suspension system typically consists of adjustable straps or harnesses

that allow the wearer to customize the fit of the helmet to their head size and shape.

Ballistic Inserts:

Some bullet-resistant helmets may incorporate ballistic inserts or plates made from materials such as ceramic or composite materials. These inserts are typically placed within the shell of the helmet to provide additional protection against high-velocity projectiles and armor-piercing ammunition.

Retention System:

The retention system of a bullet-resistant helmet consists of chin straps and a chin cup or pad designed to secure the helmet in place on the wearer's head during movement or impact. These straps are adjustable to ensure a snug and secure fit, preventing the helmet from shifting or falling off during use.

Ventilation System:

Many bullet-resistant helmets feature a ventilation system consisting of vents or channels designed to promote airflow and heat dissipation. Proper ventilation helps prevent overheating and discomfort during extended wear periods, maintaining the wearer's comfort and focus.

Cover:

The outer surface of the helmet may include a cover made from durable and abrasion-resistant fabric such as nylon or polyester. This cover provides additional protection against environmental elements and helps camouflage the helmet, reducing its visibility and enhancing the wearer's concealment in tactical situations.

Night Vision Mount:

Some bullet-resistant helmets are equipped with mounts or brackets for attaching night vision devices or other accessories. These mounts allow the wearer to easily integrate additional equipment onto the helmet, enhancing situational awareness and mission capabilities in low-light conditions.

Non-destructive testing for Bullet-Resistant Helmets

*Visual Inspection***Exterior Inspection:**

Visual examination of the exterior surface of the bullet-resistant helmet. Look for any cracks, dents, scratches, or other signs of impact or damage. Inspect the helmet shell for delamination, separation, or deformation, particularly around the edges and seams. Checking for any missing or damaged components, such as helmet covers, chin straps, padding, or mounting accessories.

Interior Inspection:

Remove any interior padding or suspension systems from the helmet for closer inspection. Look for signs of wear, deterioration, or contamination. Examine the interior surface of the helmet shell for cracks, fractures, or deformation that may not be visible from the exterior. Ensure that the retention system, including chin straps and adjustment mechanisms, is intact and functions properly.

Ballistic Insert Inspection:

Check for cracks, bulges, or fragmentation on the surface of the inserts, which may compromise their ballistic resistance. Verify that the inserts are securely mounted and do not interfere with the helmet's fit or comfort.

Ultrasonic Testing (UT):

Ultrasonic testing utilizes high-frequency sound waves to detect internal defects or discontinuities in materials. In ultrasonic testing of bullet-resistant helmets, a transducer is used to send ultrasonic waves through the material, and the reflections or echoes are analyzed to identify any flaws, such as delamination, voids, or cracks, within the helmet shell or ballistic inserts.

Radiographic Testing (RT):

Radiographic testing, also known as X-ray testing, involves passing X-rays or gamma rays through the material and capturing the resulting image on a radiographic film or digital detector. Radiographic testing can detect internal defects or anomalies in bullet-resistant helmets, such as air pockets, foreign objects, or manufacturing defects, by examining the density variations in the X-ray image.

*Destructive testing***Ballistic Impact Testing:**

Ballistic impact testing involves firing projectiles at the helmet to simulate real-world ballistic threats. Helmets are typically mounted on headforms or head analogs and exposed to controlled impacts using standardized test projectiles, such as bullets or fragments, at specified velocities and angles. High-speed cameras and instrumentation are used to measure key performance metrics, including penetration resistance, backface deformation, and energy absorption. The test setup according to NIJ standard is given in figure 9.

Ballistic impact testing helps evaluate the helmet's ability to withstand ballistic threats and provide protection to the wearer [35].

Material Property Testing:

Material property testing involves extracting samples from the helmet's shell, visor, or other components for laboratory analysis. Samples are subjected to various mechanical tests, including tensile testing, compression testing, flexural testing, and hardness testing, to assess the material's strength, stiffness, toughness, and other properties. Chemical analysis techniques, such as spectroscopy or microscopy, may be used to examine the material's composition and microstructure. Material property testing [36] helps identify the mechanical properties and failure mechanisms of the helmet's materials under different loading conditions.

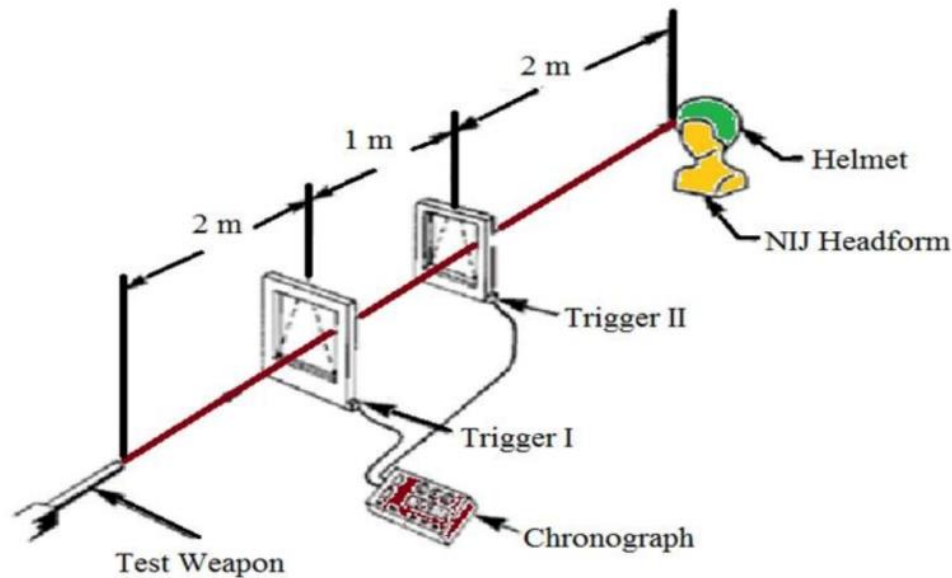


Figure 9. Test set-up based on NIJ Standard

Environmental Testing:

Environmental testing evaluates the helmet's performance under various environmental conditions, such as temperature extremes, humidity, and exposure to chemicals or UV radiation. Inspectors subject the helmet to environmental chamber tests, accelerated aging tests, or exposure to simulated environmental conditions to assess its durability and resistance to degradation over time.

CONCLUSION

The study on inspection and testing materials for bullet-resistant helmets and jackets underscores the critical importance of robust evaluation methods and high-quality materials in ensuring the efficacy and reliability of protective gear. Through comprehensive testing protocols and adherence to industry standards, the study has provided valuable insights into the performance characteristics and protective capabilities of bullet-resistant helmets and jackets. By scrutinizing various inspection techniques, including visual, non-destructive, and destructive testing methods, researchers have gained a thorough understanding of the gear's ability to withstand ballistic threats and mitigate blunt force trauma. Moreover, the study has highlighted the significance of continuous innovation and improvement in material design, manufacturing processes, and performance evaluation methodologies. By embracing technological advancements and collaborative efforts, stakeholders can enhance the safety and effectiveness of bullet-resistant helmets and

jackets, ultimately contributing to the protection and well-being of individuals operating in hazardous environments.

Acknowledgement

Ms Nidhersana Periyanyaki Gunaseelan, one of the authors, is thankful to Mr. V. Mathivanan, I.O.F.S., General Manager, Ordnance Clothing Factory, Ministry of Defence, Govt. of India, Avadi, Chennai – 600054 for providing facilities for the literature survey and technical discussion. This is the work carried out as a part of training at Ordnance Clothing Factory, Ministry of Defence, Govt. of India, Avadi, Chennai – 600054

REFERENCE

- [1] J. Breeze, E. A. Lewis, D. J. Carr (2017) Ballistic threats and body armour design. *Military injury biomechanics: the cause and prevention of impact injuries*, 1-14.
- [2] S. Kant, T. Joshi, R. Sharma (2021) Modeling and Analysis of Composite Bullet-Resistant Jacket. *Advances in Engineering Design: Select Proceedings of flame 2020* 375-386, Springer Singapore.
- [3] J. M. Tavares (2022) Bullet Block Experiment: Angular Momentum Conservation and Kinetic Energy Dissipation. *Offbeat Physics*, 199-214
- [4] J. L. Park, Y. S. Chi, M. H. Hahn and T. J. Kang (2012) Kinetic dissipation in ballistic tests of soft body armors. *Experimental mechanics*, 52, 1239-1250.
- [5] G. Cooper, P. Gotts (2005) Ballistic protection. *Ballistic Trauma: A Practical Guide*, 67-90.

- [6] M. Barcikowski (2008) Glass fibre/polyester composites under ballistic impact. *Kompozyty*, 8(1), 70-76.
- [7] S.G.Kulkarni, X.L.Gao, S.E.Horner, J.Q.Zheng, N. V. David (2013) Ballistic helmets – Their design, materials, and performance against traumatic brain injury. *Composite Structures*, 101, 313–331.
- [8] T. A. Hassan, V. K. Rangari, S. Jeelani (2010) Synthesis, processing and characterization of shear thickening fluid (STF) impregnated fabric composites. *Materials Science and Engineering*, 527(12), 2892–2899.
- [9] D. J. Spinelli, T. A. Plaisted, E. D. Wetzel (2018) Adaptive head impact protection via a rate-activated helmet suspension. *Materials & Design*, 154, 153–169.
- [10] I. Horsfall (2012) Key issues in body armour: threats, materials and design. *Advances in Military Textiles and Personal Equipment*, 3-20.
- [11] Z. Cai, X. Huang, Y. Xia, G. Li, Z. Fan (2020) Study on Behind Helmet Blunt Trauma Caused by High-Speed Bullet. *Applied Bionics and Biomechanics*, x, 1–12.
- [12] L. Cannon (2001), Behind armour blunt trauma - an emerging problem, *Journal of the Royal Army Medical Corps*, 147 (1), 87–96.
- [13] C. J. Freitas, J. T. Mathis, N. Scott, R. P. Bigger, J. Mackiewicz (2014) Dynamic response due to behind helmet blunt trauma measured with a human head surrogate, *International Journal of Medical Sciences*, 11(5), 409–425.
- [14] M. Jassal, S. Ghosh (2002) Aramid fibres-An overview, *Indian Journal of Fibre and textile Research*, 27, 290-306
- [15] R. Stopforth, S.Adali (2018) Experimental study of bullet-proofing capabilities of Kevlar, of different weights and number of layers, with 9mm projectiles. *Defence Technology*, 15 (2), 186-192.
- [16] M. Karbalaie, M. Yazdanirad, A. Mirhabibi (2012) High performance Dyneema® fiber laminate for impact resistance/macro structural composites. *Journal of Thermoplastic Composite Materials*, 25(4), 403-414.
- [17] H. A. K. Abouzaid (2021)An investigation into the functional properties of Kevlar and Dyneema fabrics used as bulletproof. *International Design Journal*, 11(6), 331-337.
- [18] M. Bajya, A. Majumdar, B. S. Butola (2023) A review on current status and development possibilities of soft armour panel assembly. *Journal of Materials Science*, 58(38), 14997-15020.
- [19] J. Bao, Y. Wang, X. Cheng, F. Wang, H. Cheng (2024) Ballistic properties of silicon carbide ceramic under weak support conditions. *Journal of Materials Research and Technology*, 28, 1764-1773.
- [20] P. H. P. M. D. Silveira, T. T. D. Silva, M. P. Ribeiro, P. R. Rodrigues de Jesus, P. C. R. D. S. Credmann, A. V. Gomes (2021) A brief review of alumina, silicon carbide and boron carbide ceramic materials for ballistic applications. *Acad. Lett*, 3742, 1-11.
- [21] N. Naik, S. Kumar, D.Ratnaveer, M. Joshi, K. Akella (2012)An energy-based model for ballistic impact analysis of ceramic-composite armors. *International Journal of Damage Mechanics*, 22(2), 145–187.
- [22] H. L. Gower, D. S. Cronin, A. Plumtree (2008), Ballistic impact response of laminated composite panels. *International Journal of Impact Engineering*, 35(9), 1000–1008.
- [23] J. Van Hoof, D. S. Cronin, M. J. Worswick, K. V. Williams, D. Nandlall (2001), Numerical head and composite helmet models to predict blunt trauma. *19th International Symposium of Ballistics*, 921-928.
- [24] R. Stopforthand, S. Adali (2019), Experimental study of bullet-proofing capabilities of Kevlar, of different weights and number of layers, with 9 mm projectiles. *Defence Technology*, 15(2), 186-192.
- [25] S. Mitra, L. K. Behera (2020) Enhancing the Effectiveness of Defence Indigenization: The Case of Bullet-Resistant Jackets. *Strategic Analysis*, 44(6), 553-569.
- [26] D. Pacek, P. Zochowski, A. Wisniewski (2016), Anti-trauma pads based on non-Newtonian materials for flexible bulletproof inserts. *Proceedings of the 29th International Symposium on Ballistics, Scotland, UK*, 9-13.
- [27] L. Cannon (2001), Behind armour blunt trauma-an emerging problem. *BMJ Military Health*, 147(1), 87-96.
- [28] P. K. Stefanopoulos, G. F. Hadjigeorgiou, K. Filippakis, D. Gyftokostas (2014) Gunshot wounds: a review of ballistics related to penetrating trauma. *Journal of Acute Disease*, 3(3), 178-185.
- [29] W. Swiderski and M. Pracht, June (2016) Ultrasonic IR thermography detection of defects in multi-layered aramide composites. *Proc. of 19th World Conference on Non-Destructive Testing*.
- [30] I. G. Crouch, B. Eu (2017), Ballistic testing methodologies. *The Science of Armour Materials*, 639–673.
- [31] M. El Messiry, S. El-Tarfawy (2015), Performance of weave structure multi-layer bulletproof flexible armor. *Proceedings of the 3rd Conference of the National Campaign for Textile Industries, NRC Cairo, Recent Manufacturing Technologies and Human and Administrative Development*, Cairo, Egypt, 9-10.
- [32] W. Kerkhoff, M. J. Glardon, C. Schyma, I. Alberink, R. J. Oostra, F. Riva (2023), The influence of impact velocity on bullet trajectory deflection through ballistic gelatine. *Forensic science international*, 346, 111675.
- [33] Y. Li, H. Fan, X. L. Gao (2022) Ballistic helmets: Recent advances in materials, protection mechanisms, performance, and head injury mitigation. *Composites Part B: Engineering*, 238, 109890.

- [34] M. Fejdyś, M. Łandwajt, W. Habaj, M. H. Struszczyk (2015), Ballistic helmet development using UHMWPE fibrous materials. *Fibres & Textiles in Eastern Europe*, 23, 1(109), 89-97.
- [35] L. Chang, Y. Guo, X. Huang, Y. Xia, Z. Cai (2021), Experimental study on the protective performance of bulletproof plate and padding materials under ballistic impact. *Materials & Design*, 207, 109841.
- [36] S. H. Gu, K. M. Kim, J. H. Park, S. H. Song (2019), A Study on Improvement of Ballistic Testing Method for Combat Helmet. *Journal of Korean Society for Quality Management*, 47(2), 283-294.

IZVOD

BALISTIČKA PROCENA PANCIRA ZA PRIMENU U ODBRANI

Otporni prsluci (BRJ) i kacige otporne na metke (BRH) služe kao ključna zaštitna oprema za vojno i policijsko osoblje, nudeći kritičnu odbranu od balističkih pretnji. Različiti protokoli inspekcije i ispitivanja se koriste kako bi se osigurala pouzdanost i efikasnost materijala koji se koriste u izradi BRJ i kaciga otpornih na metke. Studija počinje pregledom različitih materijala koji se obično koriste u proizvodnji BRJ i kaciga, uključujući aramidna vlakna, keramiku i kompozitne materijale. Vizuelni pregledi pomažu u identifikaciji površinskih nepravilnosti i defekata, dok tehnike NDT-a, kao što su ultrazvučno ispitivanje i radiografija, pomažu u otkrivanju unutrašnjih nedostataka koji bi mogli ugroziti integritet zaštitne opreme. Štaviše, studija se bavi postupcima ispitivanja neophodnim za procenu balističke otpornosti ovih materijala, zajedno sa obraćanjem važnosti usklađenosti sa industrijskim standardima i zahtevima za sertifikaciju, naglašavajući značaj rigoroznih protokola inspekcije i ispitivanja u održavanju kvaliteta i pouzdanosti materijala koji se koriste u proizvodnji BRJ i kaciga otpornih na metke. Primena robusnih tehnika ispitivanja i poštovanje standardizovanih procedura testiranja su imperativ kako bi se osigurala bezbednost i zaštita pojedinaca koji se oslanjaju na ovu specijalizovanu opremu u okruženjima visokog rizika.

Ključne reči: Zaštitna oprema, aramidna vlakna, balističke pretnje

Naučni rad

Rad primljen: 26.07.2024.

Rad korigovan: 14.05.2025.

Rad prihvaćen: 01.06.2025.

Subrata Das

<https://orcid.org/0000-0002-7118-5490>